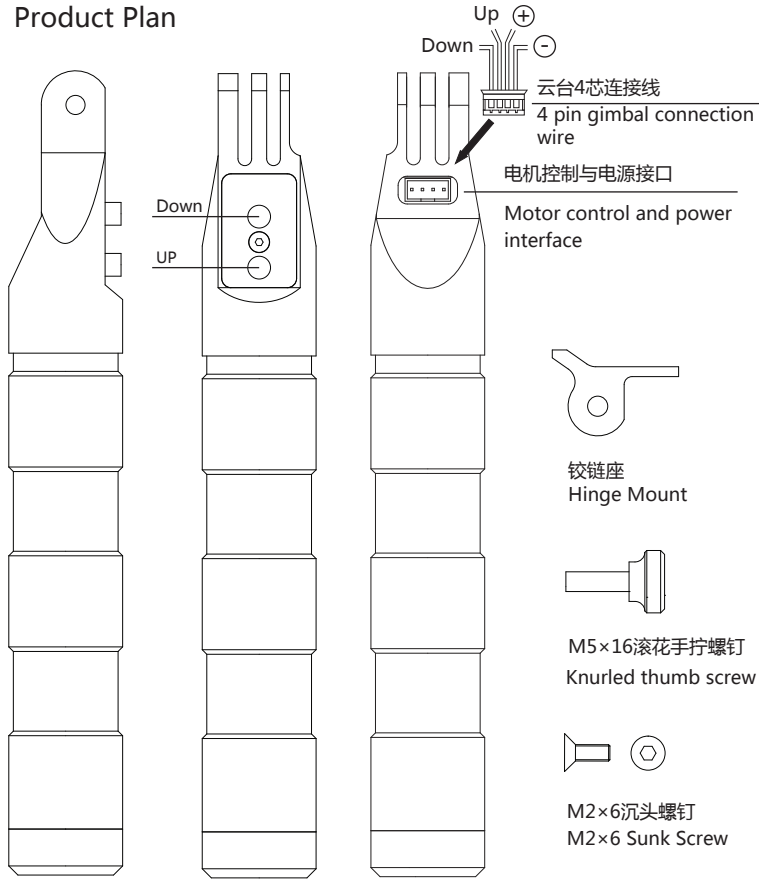




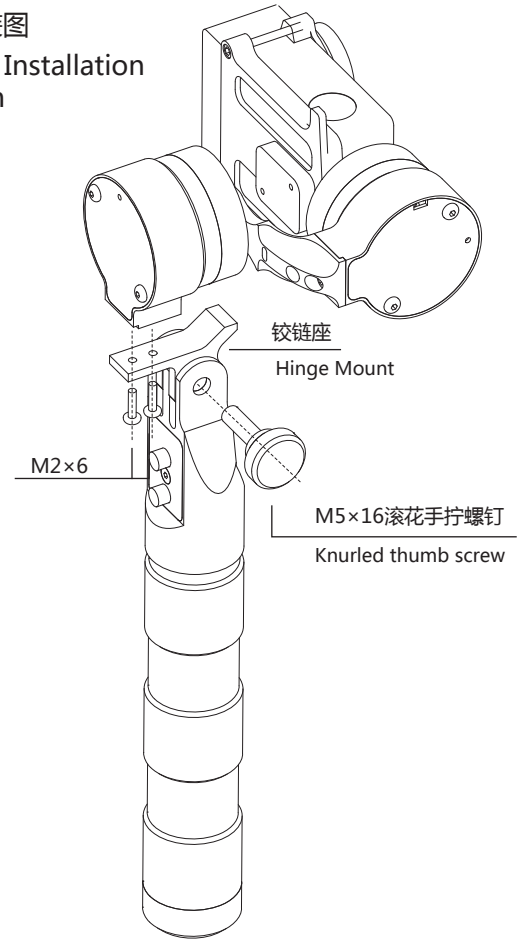
G3 Steadicam Installation Instructions

G3云台手持件安装说明书

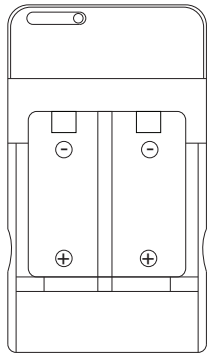
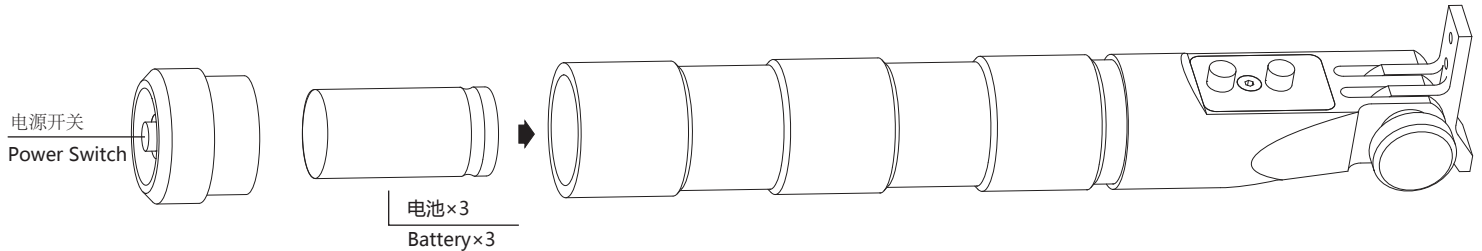
产品平面图 Product Plan



产品安装图 Product Installation Diagram



扭开电源盖，把电池放入电池仓中。
Open power switch cap, Put batteries in holder.

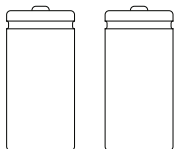


充电器

输入: AC 100V-240V 50/60Hz
最大输入: 150mA
输出: DC 4.2V 600mAh
为了防止火灾或受潮，
以及减少触电的危险。
请不要打开护盖。
如有零部件需维修，请咨询授权
服务代理商。

Charger

Input: AC 100V-240V 50/60Hz
Max 150mA
Output: DC 4.2V 600mAh
WARNING:
To prevent it from fire or moisture.
To reduce the risk of electronic shock.
Do not remove cover (or back plate).
If any parts need repair, consult an
authorized service dealer.



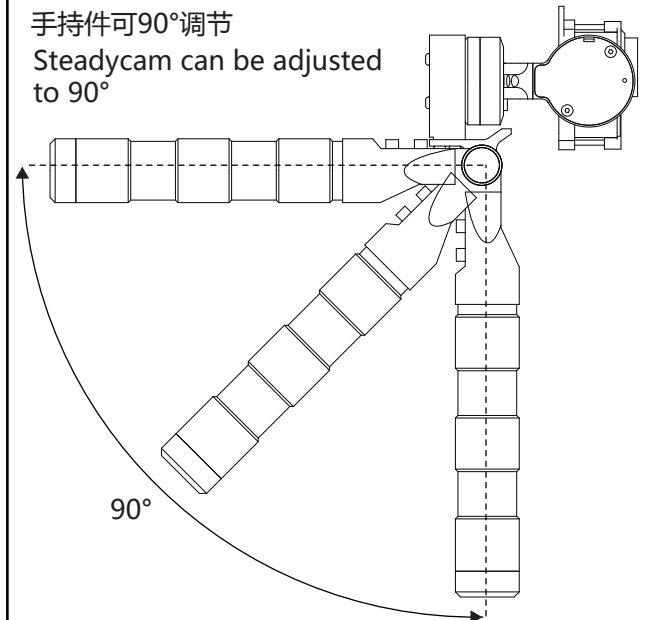
可充电电池

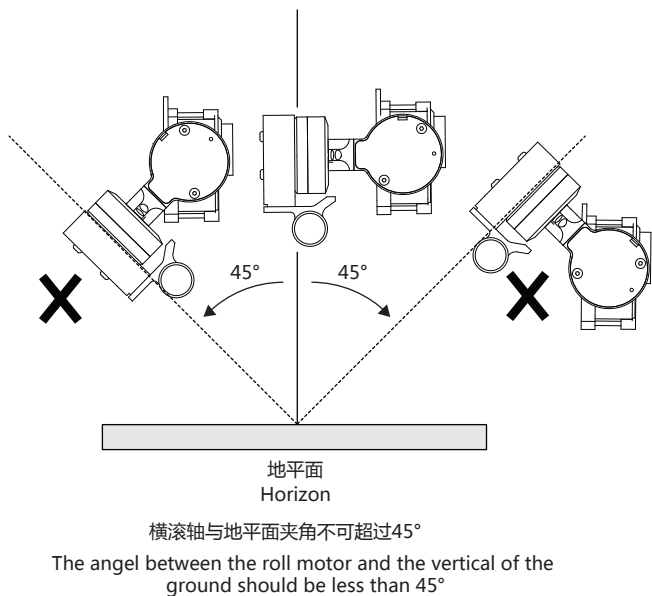
型号: 16430
容量: 1800mAh

Rechargeable Battery

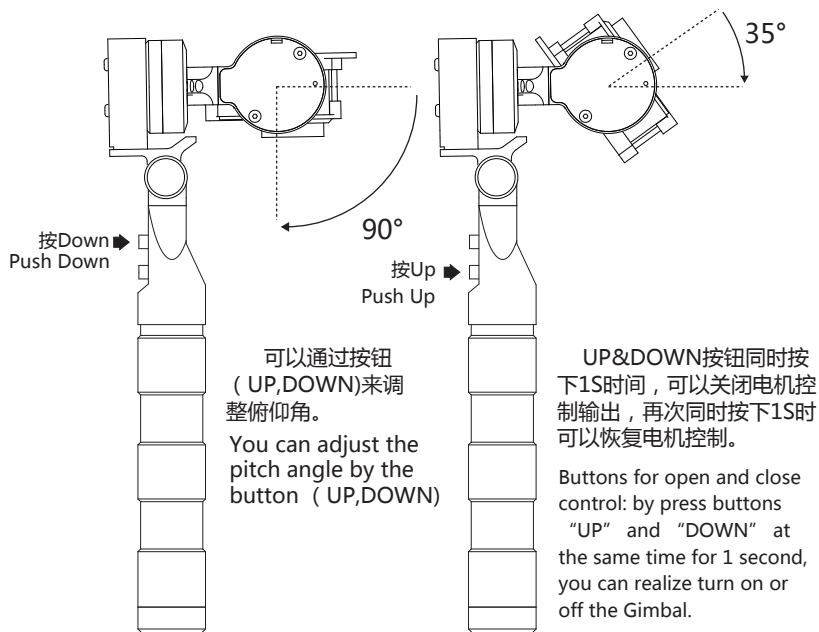
Type: 16430
Capacity: 1800mAh

手持件可90°调节
Steadycam can be adjusted
to 90°



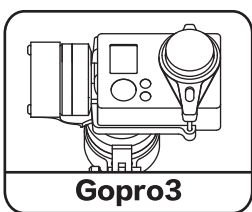


- 1 -



- 2 -

- 3 -



注意!

请先安装好GoPro3相机后,再通电。

Attention!

Please install the GoPro3 cameral firstly ,then supply power.

更多相关信息可访问飞宇科技官方网站：www.feiyu-tech.com

Please visit the official website of Feiyu-tech to get related information：www.feiyu-tech.com

特性参数：

项目	最小	标准	最大	备注
工作电压	7.0V	12.0V	17.0V	2S~4S LIPO
静止姿态跟踪精度	±0.01°		±0.04°	
运动姿态跟踪精度	±0.1°	±0.02°	±0.5°	
电机过载电流保护			0.8A	
电机过载保护时间			600s	电机过载600s后自动停止工作
电机输出最大力矩响应时间			330us	
俯仰角可转动角度	- 90°	0°	+ 35°	
横滚角度可转动角度	- 45°	0°	+ 45°	
俯仰角控制速率		10°/S		
重量		128g		手柄重量

Tech Specification :

TECH SPEC	Min-working voltage	Standard working voltage	Max-working voltage	Remark
Working Voltage	7.0V	12.0V	17.0V	2S~4S LIPO
Static attitude tracking accuracy	±0.01°		±0.04°	
Motion attitude tracking accuracy	±0.1°	±0.2°	±0.5°	
Overload protection			0.8A	
Overload protection time			600s	After overloaded 600s, Gimbal will stop working automatically.
Max-torque response time			330us	
Controlled pitch angle accuracy	- 90°	0°	+ 45°	
Controlled Roll Angle Accuracy	- 45°	0°	+ 45°	
Pitching Angle control rate		10°/S		
Weight		128g		Handle weight